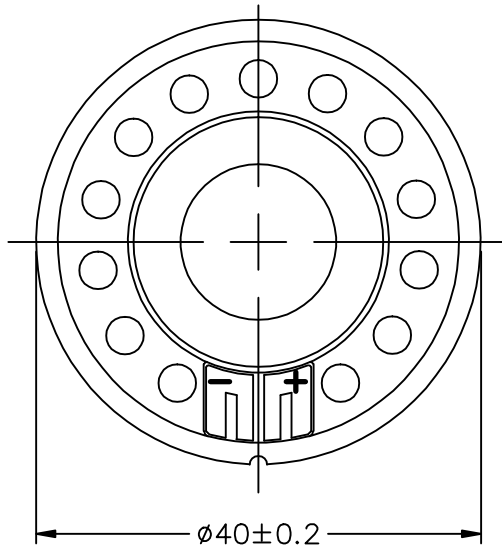


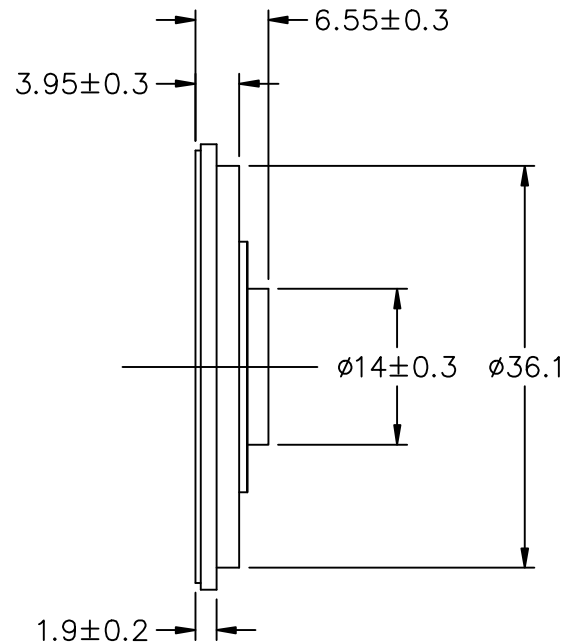
THIS DOCUMENT CONTAINS DATA PROPRIETARY TO PROJECTS UNLIMITED, INC. ANY USE OR REPRODUCTION, IN ANY FORM, WITHOUT PRIOR WRITTEN PERMISSION OF PROJECTS UNLIMITED, INC. IS PROHIBITED.  
 ©2005, Projects Unlimited Inc.

### SPECIFICATIONS

PARAMETERS	VALUES	UNITS
RATED INPUT POWER	0.5	W
MAX INPUT POWER	0.8	W
IMPEDANCE	8±15%	OHM
OUTPUT SPL @ 1W/1M (AT 0.8, 1.0, 1.2, 1.5, kHz)	92±3	dBA
DISTORTION (MAX.)	5%	-
RESONANT FREQUENCY	700±20%	Hz
FREQUENCY RANGE	700 ~ 4,750	Hz
HOUSING MATERIAL	METAL	-
CONE MATERIAL	PAPER CONE	-
MAGNET MATERIAL	Nd-Fe-B	-
OPERATING TEMPERATURE	-20 ~ +60	°C
WEIGHT	10	grams




REVISIONS			
LTR	DESCRIPTION	DATE	APPROVED
-	RELEASED FROM ENGINEERING	9/25/06	



#### NOTES:

1. ALL DIMENSIONS ARE IN MILLIMETERS.
2. SPECIFICATION SUBJECT TO CHANGE OR WITHDRAWAL WITHOUT NOTICE.
3. THIS PART IS RoHS 2002/95/EC COMPLIANT.

FILE NAME  
AS04008PR-R.DWG

UNLESS OTHERWISE SPECIFIED: DIMENSIONS ARE IN MILLIMETERS, TOLERANCES ARE ±0.5 AND ANGLES ARE ±3°.		 <b>projects® unlimited</b> Dayton, Ohio	
SPEAKER		DRAWING NO. AS04008PR-R	
APPROVALS	DATE	SIZE	
DRAWN <i>J.D.</i>	<i>9/06</i>	<b>A</b>	
CHECKED <i>B.R.</i>	<i>9/06</i>		
APPROVED <i>R.W.</i>	<i>9/06</i>		
DO NOT SCALE DRAWING		SCALE: N.T.S.	SHEET 1 OF 1